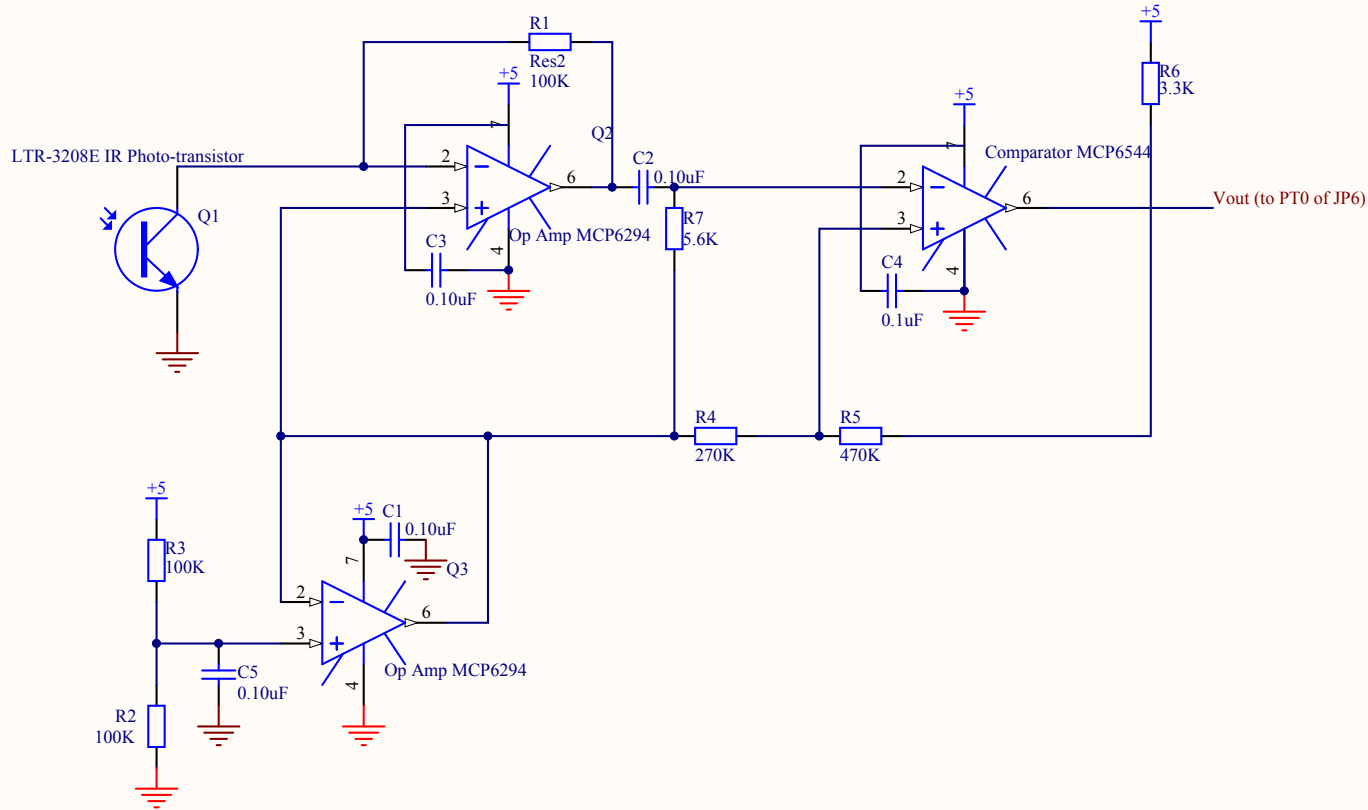


Title			Smart Product Design Lab	Cannot open file E:\Altium\Templates\SP DL_FW.tif
Size: A	Number:	Revision:	201 Thornton Stanford University Stanford, CA 94305-4021	
Date: 3/15/2012	Time: 2:58:58 PM	Sheet of		
File: Z:\ 218bTeams\Team 3\Final_Armadillo.SchDoc				
Drawn By: *				



Title			Smart Product Design Lab	Cannot open file E:\Altium\Templates\SP DL_FW.tif
Size: A	Number:	Revision:	201 Thornton	
Date: 3/15/2012	Time: 2:58:58 PM	Sheet of	Stanford University	
File: Z:\ 218bTeams\Team 3\IRSense.SchDoc			Stanford, CA	
Drawn By: *			94305-4021	